



UMR Technology

▶▶ *Exploring Ideas*





Contents



1

INTRODUCTION

.....●

2

QUALITY POLICY

.....●

3

FIELD OF ACTIVITY

.....●

4

MAJOR CUSTOMERS

.....●



INTRODUCTION

What We Are

We take the privilege to introduce ourselves as **UMR TECHNOLOGY** one of the Leading company in Mechanical and Automation system. Involving in **Designing & Manufacturing** of Fixtures for CNC machines, Machines Spare parts, Welding fixtures & Assembly Fixtures, SPM Etc.

One of other team works in field of Material handling & Displacement equipments like Vibratory Bowl feeder, Linear bowl feeder, component Loading trolleys, pallets etc Our team has earned an unrivalled reputation for quality and attention to detail. Combined with our '**can-do**' attitude, and our determination to meet deadlines, we are fully confident in our ability to successfully meet any mechanical services installation challenge.

Our Future

UMR TECHNOLOGY is a dynamic organisation that has the flexibility to adapt to the changing needs of our continually expanding client base. Sustaining our growth into the future is an exciting challenge, the success of which will be dependent on maintaining our enviable reputation for quality, efficiency, and customer service.

QUALITY POLICY



It is the policy of UMR Technology to provide customers with products of a quality that meets their present & future needs so as to consistently enhance their satisfaction.

Our philosophy of continual improvement, by regular reviews of our products and processes and by innovative efforts of our employees, who remain motivated and committed through our employee development programme, helps us to remain a market leader.

Our Moto

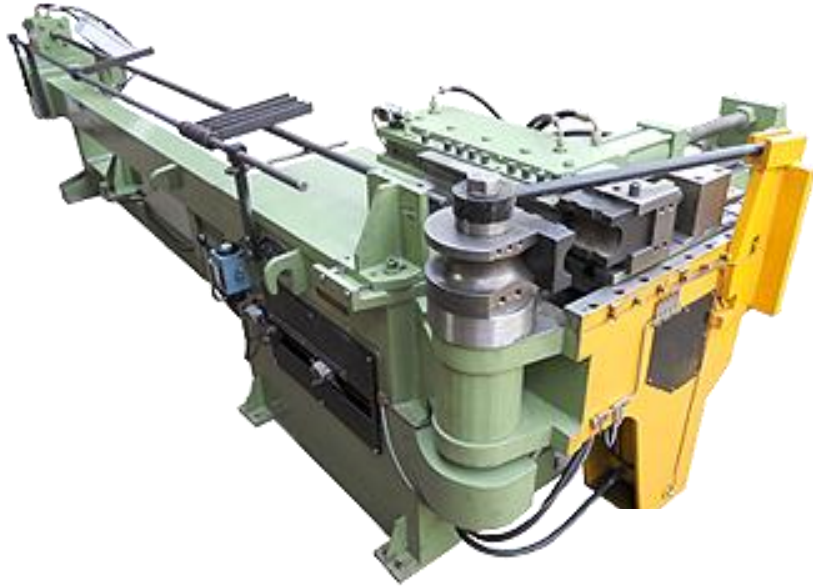
“ON TIME, ON BUDGET, TO THE REQUIRED QUALITY”

FIELD OF ACTIVITY

OUR MAJOR FIELD OF ACTIVITIES ARE AS GIVEN BELOW:

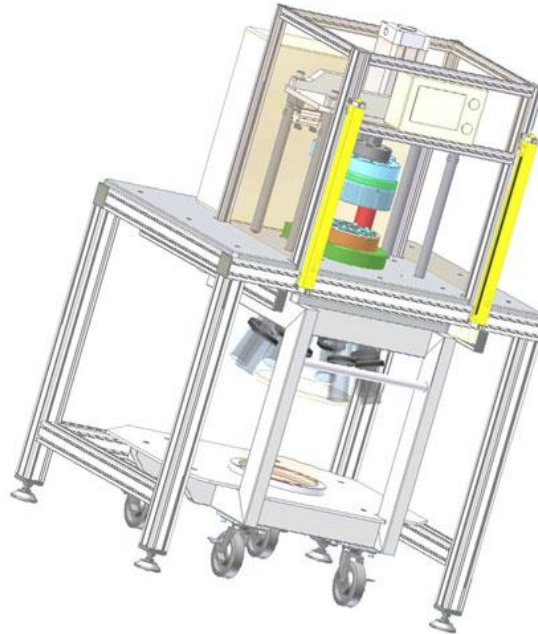
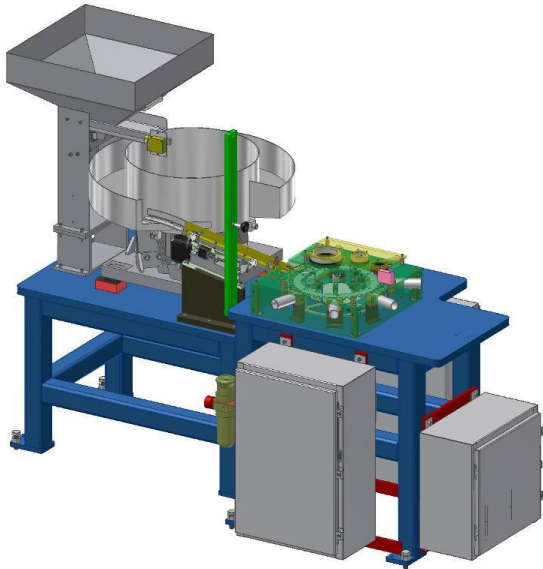
- 1. Special Purpose machines.**
- 2. Fixtures for Machining, Assembly or Welding etc.**
- 3. Spare parts for Machineries or Fixtures.**
- 4. Material Handling & displacement Equipments.**
- 5. Vibratory Bowl Feeder & Linear Vibratory feeder.**

Pipe Bending Machine



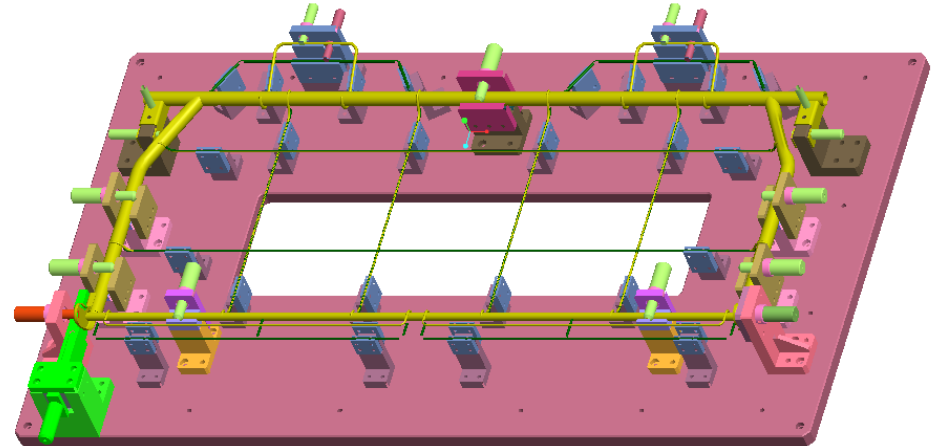
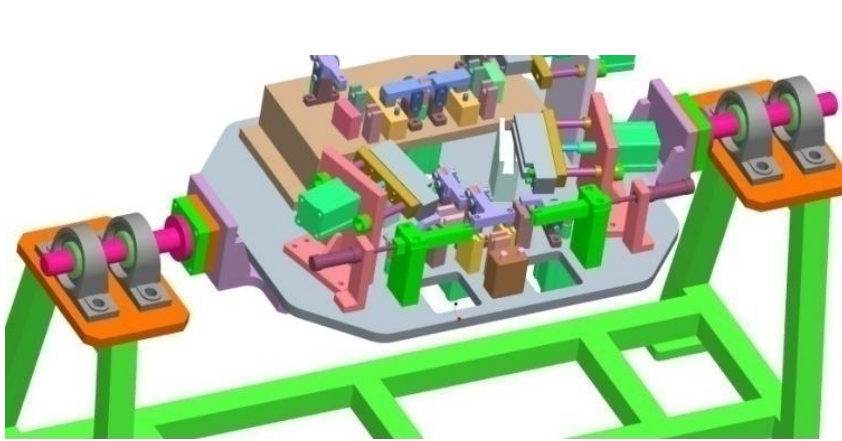
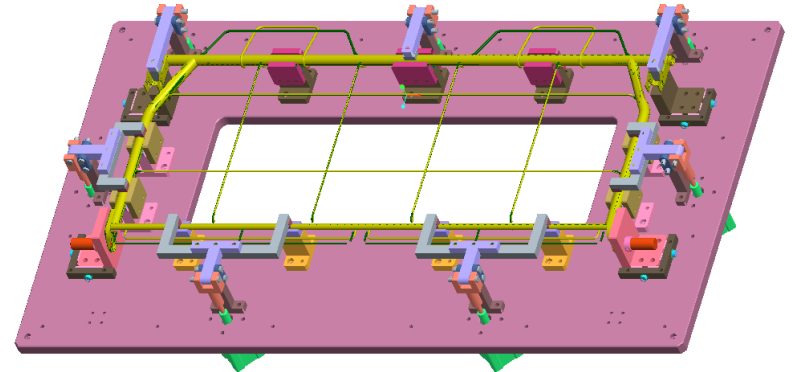
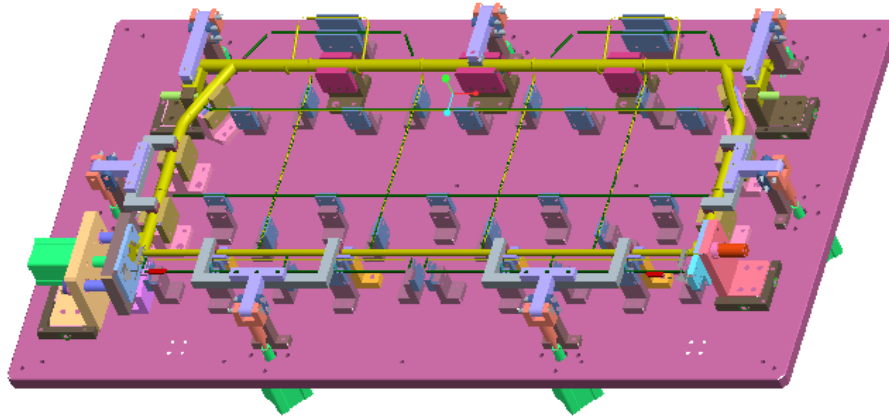
Special purpose machines

1. SPM for part pressing, Leakage testing , assembly Etc.



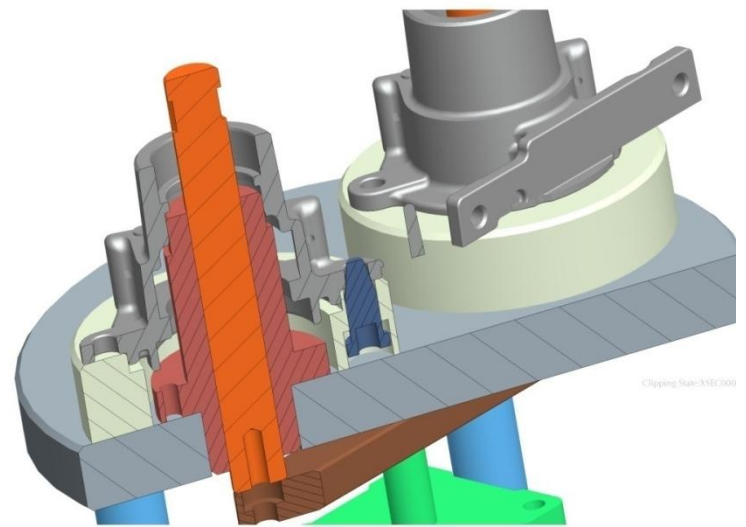
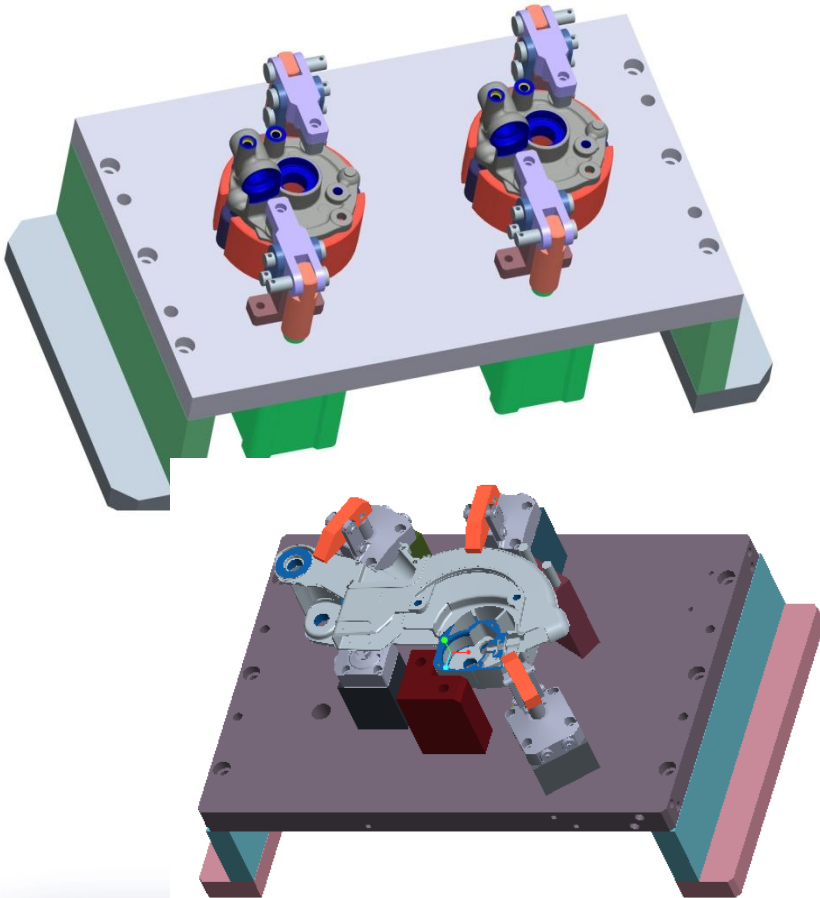
FIXTURES

FIXTURES FOR MIG WELDING OR SPOT WELDING



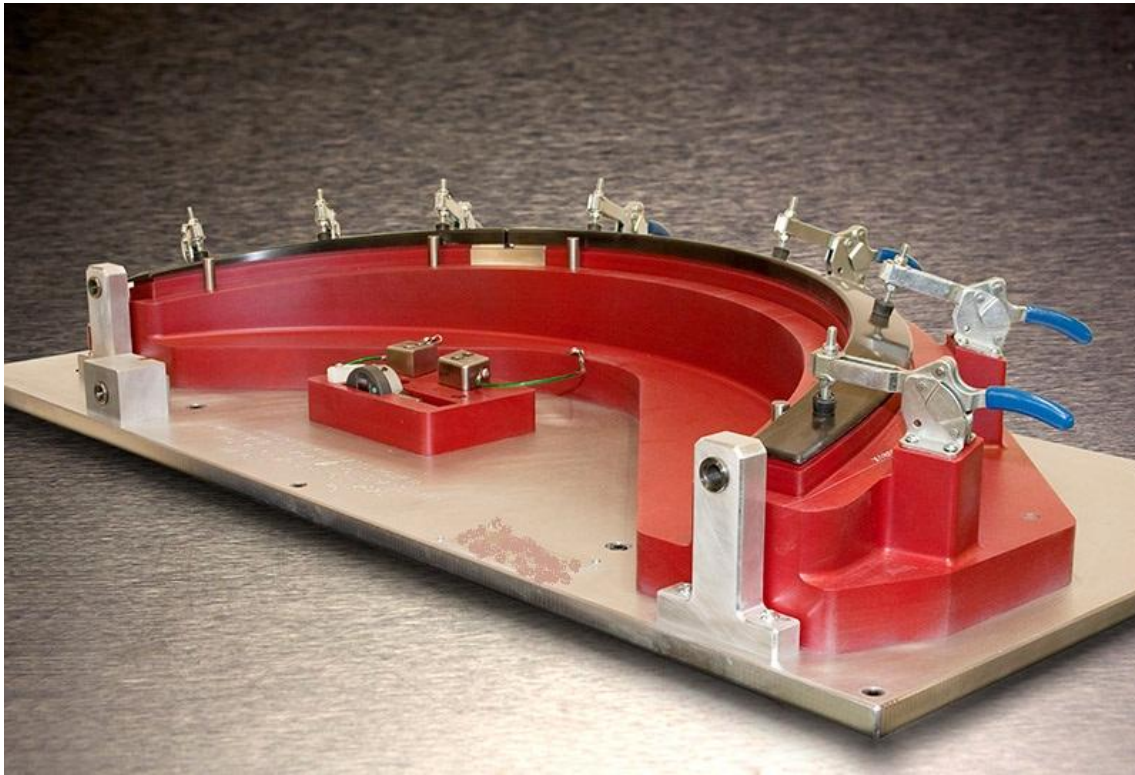
FIXTURES

FIXTURES FOR MACHINING WITH MANUAL, PNEUMATIC OR HYDRAULIC CLAMPING.



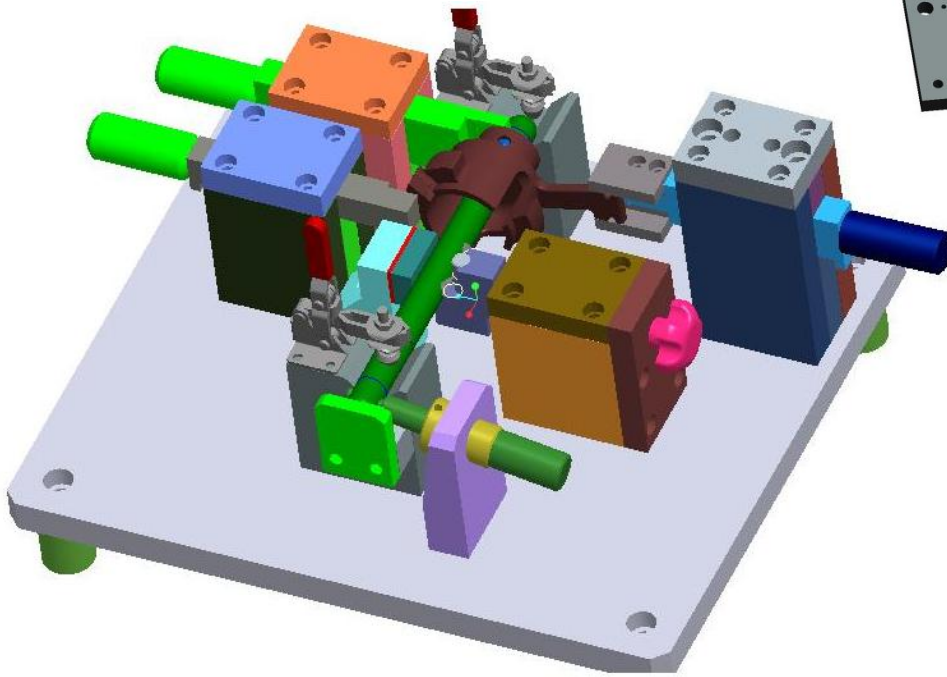
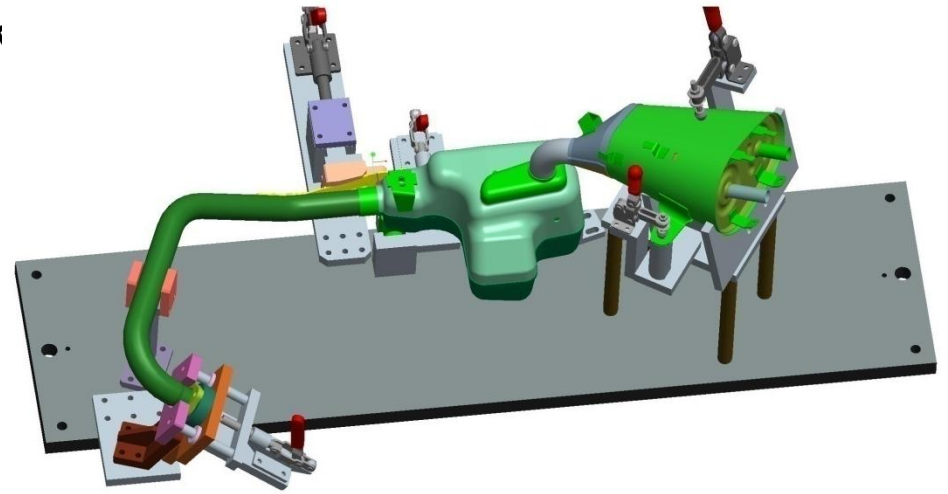
PANELCHECKERS

Panel Checker for sheet metal component checking in wood.



Gauges

1. Receiving gauges for CD ,face & Runout check

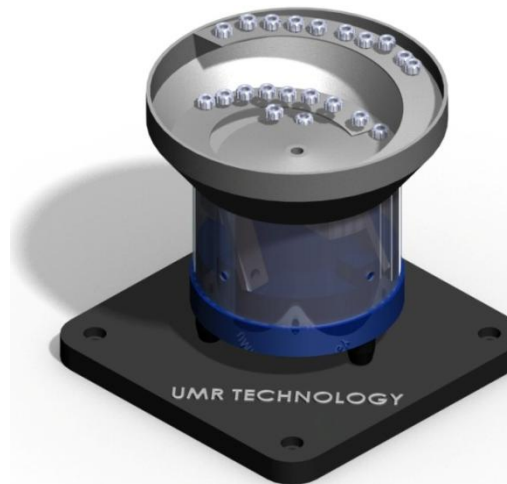
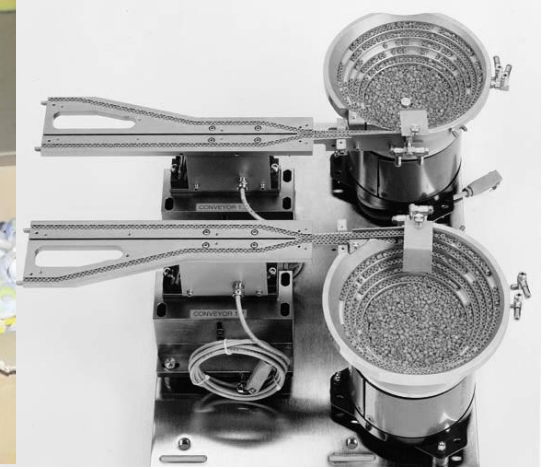


Balancing Arms for Assembly Line Tools



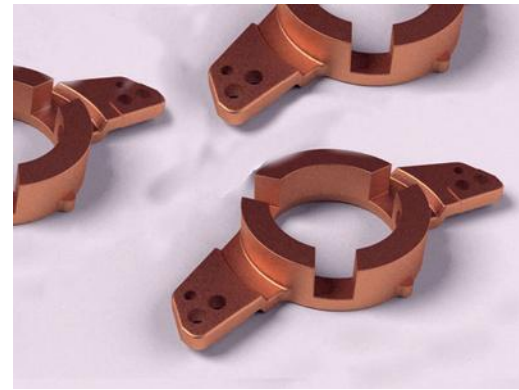
MATERIAL DISPLACEMENT EQUIPMENT

1. VIBRATORY BOWL FEEDER.
2. LINEAR VIBRATORY FEEDER.
3. CONVEYORS.



SPARE PARTS

We also manufacturing Precise Spare part for Machines, Fixtures or any Mechanical component in different specified material like TEFLON, METALON, BRASS, GUNMETAL or COPPER.

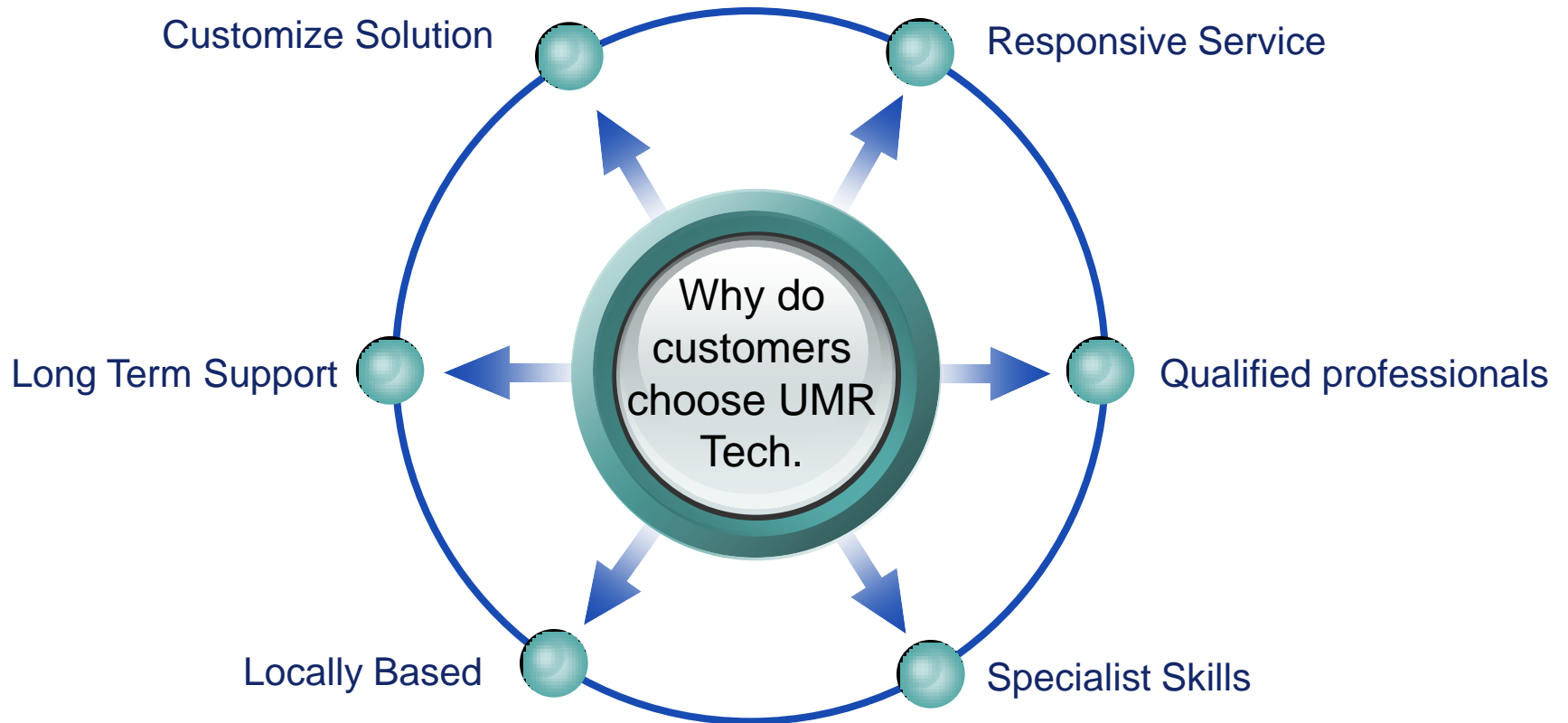


MATERIAL HANDLING EQUIPMENT

1. COMPONENT LOADING TROLLEYS.
2. COMPONENT LOADING PALLETS.
3. ROBOT or MACHINE FENCING.



Why Choose Us



OUR MAJOR CUSTOMERS

- ❖ ZF Hero Chassis Systems Ltd.
- ❖ Sankie Giken India Pvt Ltd.
- ❖ Roulunds Brakes India Pvt Ltd..
- ❖ Best Koki India Pvt Ltd .
- ❖ Y tec india Pvt.Ltd.
- ❖ Mars Industries Pvt. Ltd.
- ❖ Ask Autotech Pvt. Ltd.



OUR MAJOR CUSTOMERS



- ❖ Batliboi Ltd.
- ❖ Emkay Auto Indore Pvt. Ltd.
- ❖ Maxop Engineering Co. Pvt. Ltd
- ❖ Radiant Complast Pvt Ltd,
- ❖ Continental automotive brake Systems india pvt. Ltd

Machines

- | | |
|---------------------------|-------------|
| 1. M1TR | 02 nos. |
| 2. Surface Grinder | 02 Nos. |
| 3. Lathe Machine | 01Nos. |
| 4. Drilling Station | 01 Nos. |
| 5. Welding set | 02 Nos. |
| 6. Cylindrical grinding | (Outsource) |
| 7. VMC (Haas make) | (Outsource) |
| 8. Wire Cut | (Outsource) |
| 9. Measuring instruments. | |

Thank You !



Contact Us :

UMR Technology

Khera Dewat Road, Gurgaon Gaon
8 Viswa, Near Shiv Vatika
Gurgaon (Haryana)
Mob. : 09873522795
E-mail : umrtech@yahoo.com

